

# T.T TRUE TECHNOLOGIES

## CUSTOMER REQUEST AND PRODUCT GUIDE

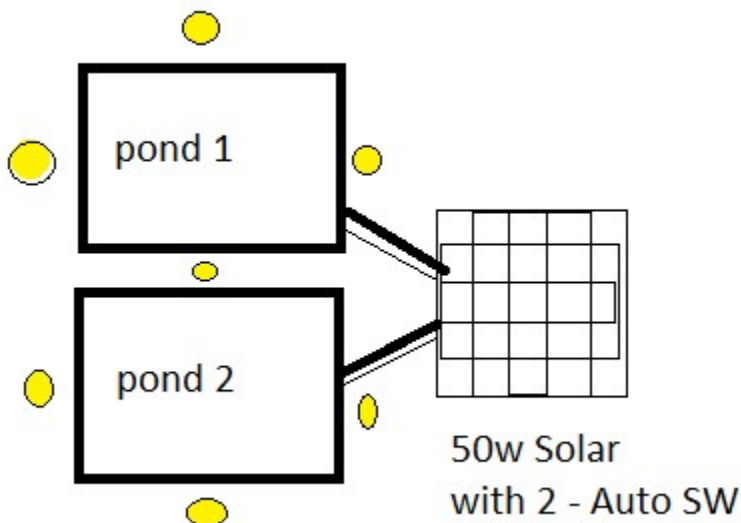
### CENTRALIZED AUTOMATIC LIGHTS ON DURING THE NIGHT AND OFF DURING THE DAY

Daet, Camarines Norte

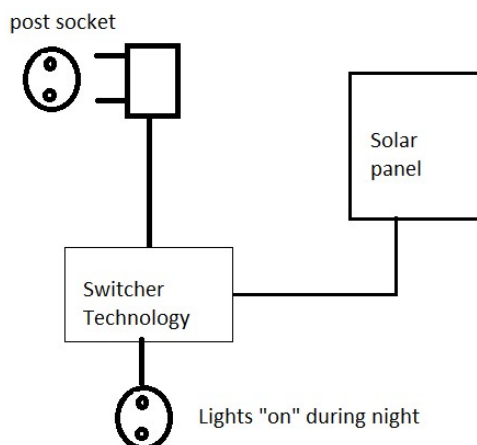
#### Customer Request

Pond 1 and Pond 2 light post need to automatically turn on during the night and turn off during the day.

#### Design Layout



#### Circuit Theory



Using a Switcher technology, the device senses light condition using solar panel. The bigger the solar panel, the more sensitive and accurate turning on and off of the lights.

**Core Technology:** Trigger Sensor not voltage driven technology.

Why? Trigger can have smaller solar panels.

Manufacturing Pictures

